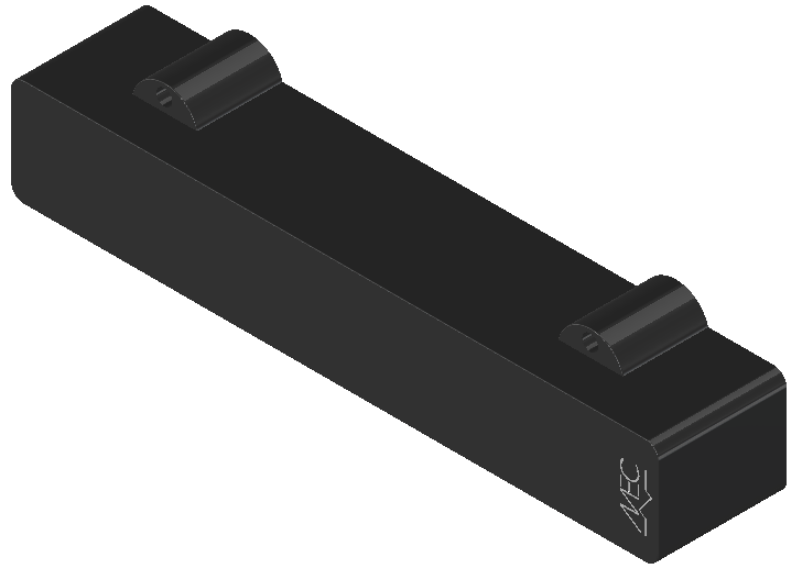


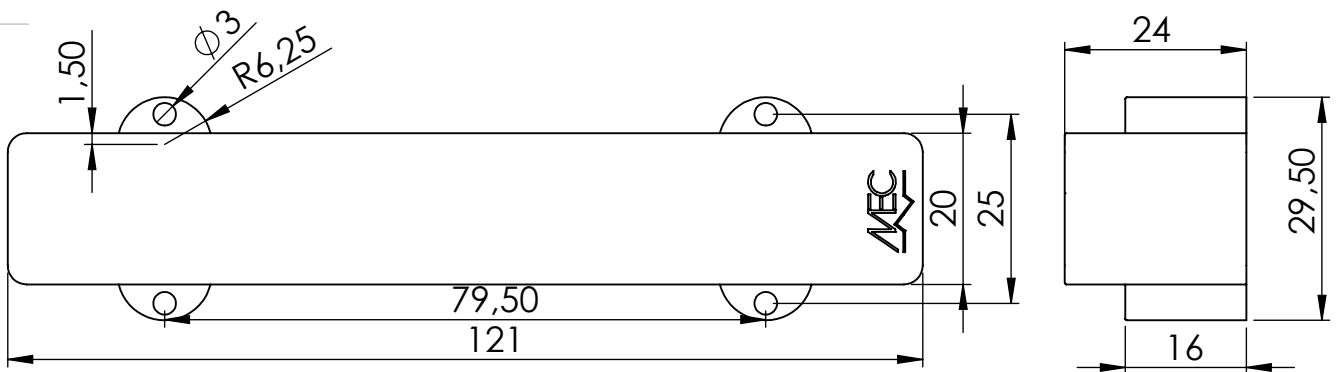
A

B

C



D



E

F



Warwick Gmbh & Co Music Equipment KG  
 Gewerbepark 46  
 D-08258 Markneukirchen  
 Tel : +49 (0) 37422 555 - 0  
 Fax : +49 (0) 37422 555- 9999  
 e-mail : info@warwick.de

	NAME	DATE
DRAWN		Dienstag, 10. Dezember 2019
CHK'D		A-01
Scale 1:2	SHEET 1 OF 2	<b>A4</b>

M 60126 L

**Copyright**  
 This drawing is the property of Warwick Gmbh & Co Music Equipment KG.  
 The information given on it is protected by copyright and any form of copying or reproduction is strictly forbidden.