

User's Manual

Minimal DC Porter

Thank you for your purchase of the Minimal DC Porter by One Control.

The DC Power supply is the first of its kind. What makes it different than other pedal board power supplies? It's USB powered.

This unique power supply is powered by a micro USB B and a:

USB Wall Adapter

or

Portable Charger/Mobile Battery Bank

With 10x center-negative 9V DC outputs, make your entire pedalboard completely portable. Nowadays, everyone carries a portable charger or their phone charger. For this reason, One Control designed a minimal power supply that can be powered in any given situation.

The DC Porter is also available in an All-In-One pack, which includes:

1 x DC-PORTER

1x 5V DC USB Type A Adapter (2A)

1x USB Micro B cable

1x DC-15-LS (L: right angled, S: straight)

3X DC-30-LS

3X DC-50-LS

3x DC-70-LS

- Specifications

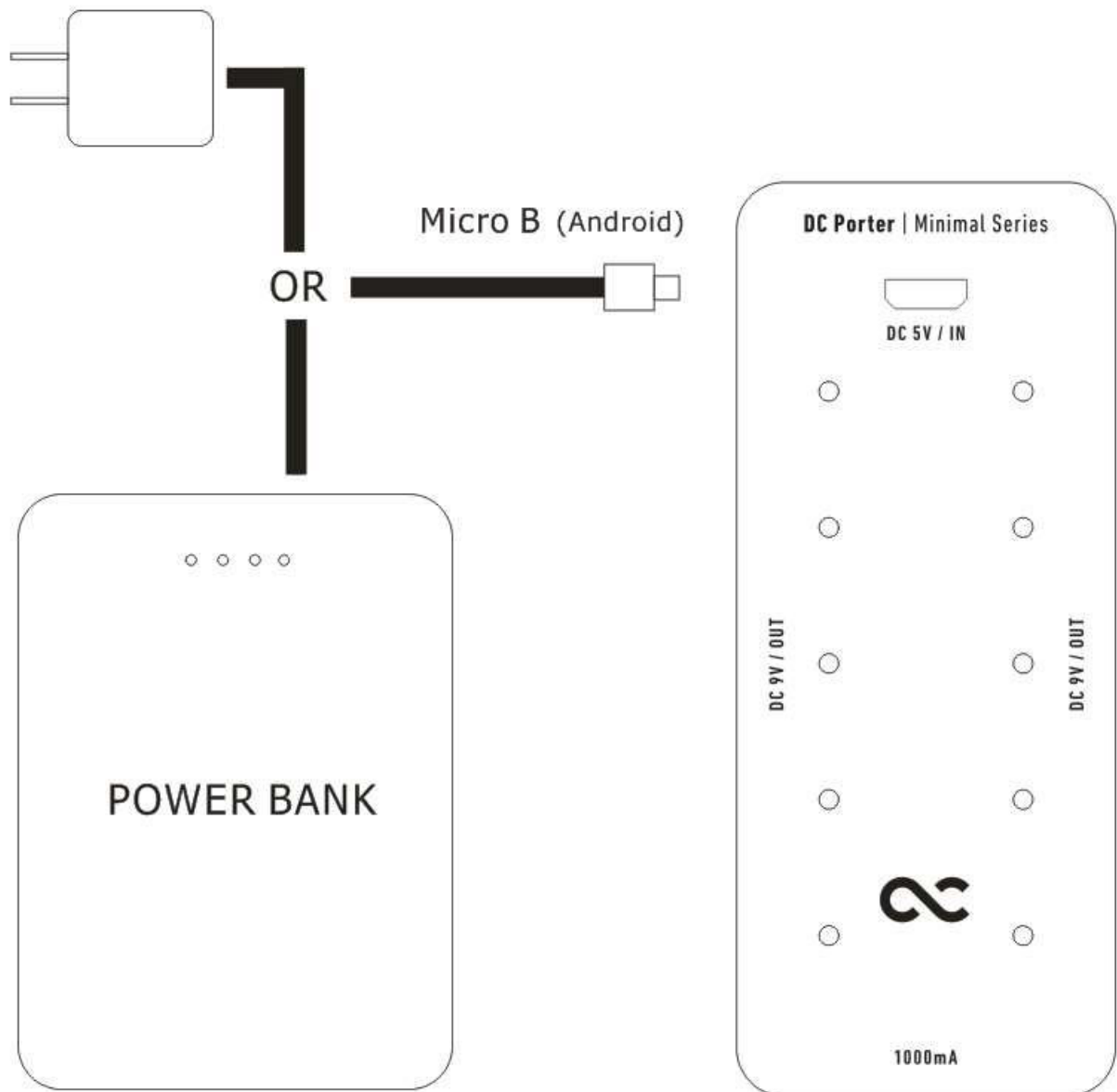
Input: USB Micro B

Outputs: 10x DC 9V center-negative jacks.

Max: 1000mA

Weight: 220g

Size: 39mm x 98mm x 34mm



DC 5V /IN:

Connect DC 5V power source (micro USB B jack) here.

DC 9V /OUT:

There are ten DC 9V output jacks which are 5.5x2.1mm barrel type.

The All-In-One pack includes ten DC cables with different length for typical pedalboard.