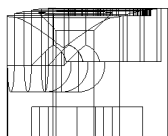
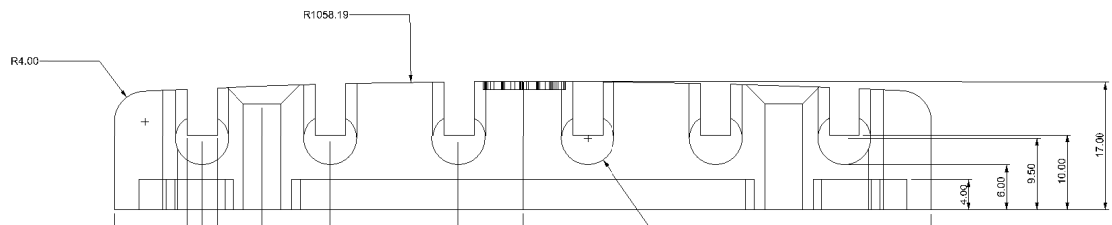


A

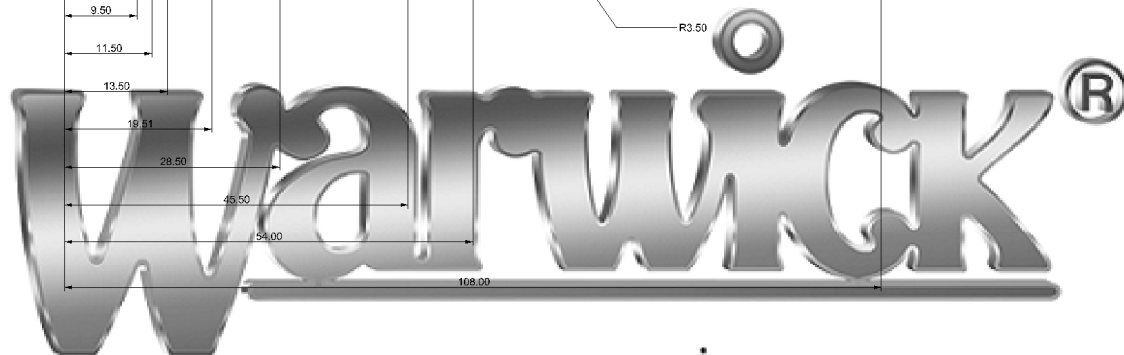
Tailpiece 6 string



B

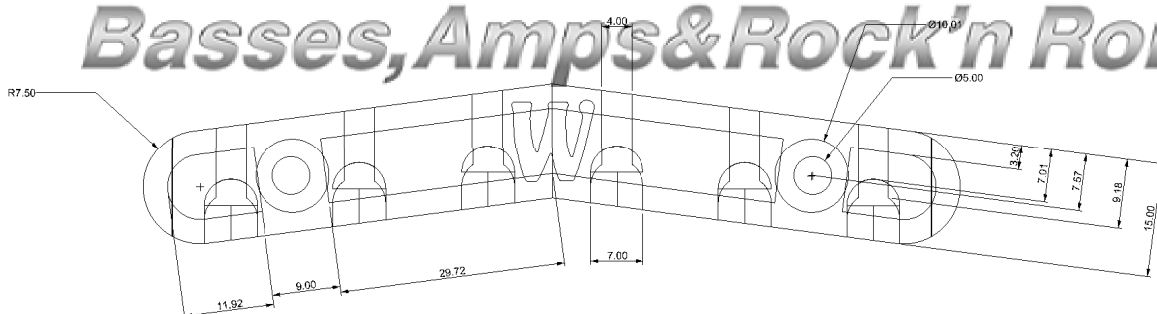


C

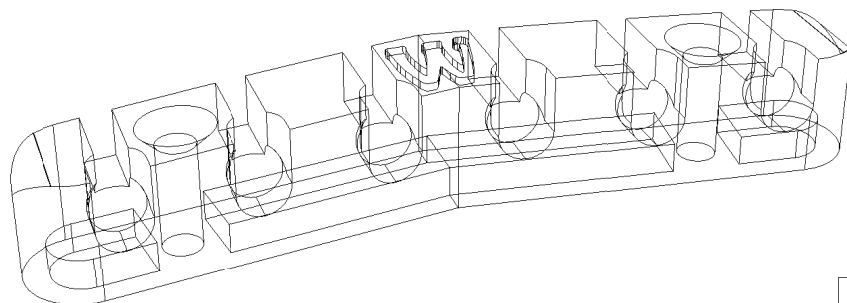


Basses, Amps & Rock'n Roll.

D



E



F

Warwick Gmbh & Co Music Equipment KG
 Gewerbepark 46
 D-08258 Markneukirchen
 Tel : +49 (0) 37422 555 - 0
 Fax : +49 (0) 37422 555- 9999
 e-mail : info@warwick.de

	NAME	DATE
DRAWN		29.09.2016
Unless noted, all measurements are given in millimeters		
Scale 1:1	SHEET 1 OF 2	A4

6 string Warwick Tailpiece
 Casted

Copyright
 This drawing is the property of Warwick Gmbh & Co Music Equipment KG.
 The information given on it is protected by copyright and any form of copying or reproduction is strictly forbidden.