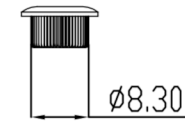
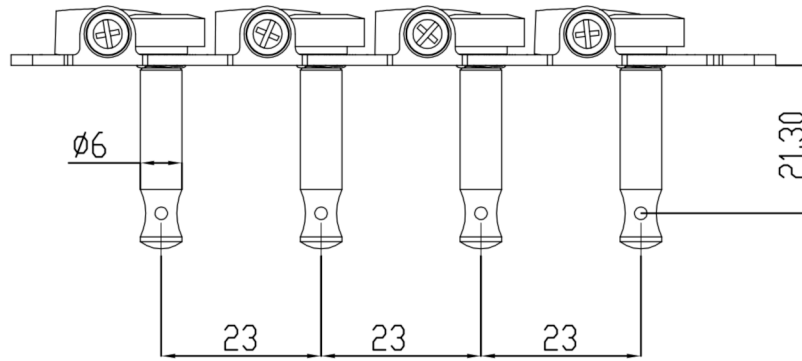
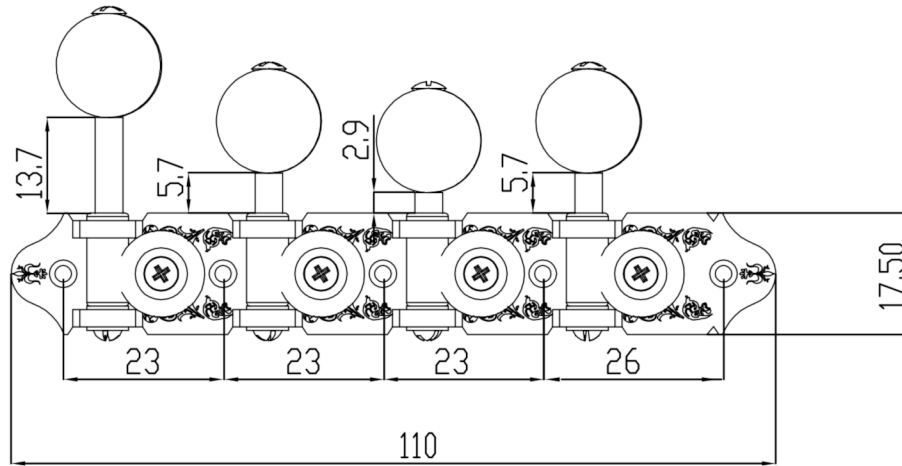


| Rev No. | Date | Revisions | By |
|---------|------|-----------|----|
| A | | | |



| | | | |
|-----------|------------|-------------|------|
| Part Name | | | |
| 409F | | | |
| Drawn By | Checked By | Approved By | Rev. |
| | | | |