

PHIL JONES BASS

BP-800

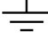



OWNER'S MANUAL

Thank you for purchasing the BP=800 bass amp. A great deal of dedication and passion went into designing and building this no-compromise, high performance compact amplifier. It was conceived to be a dedicated amplifier for the "connoisseur" bassist. Reading and following this manual will

enable you to get the best performance from the amp and ensure its longevity.

READ THIS FIRST

- Before using the BP-800 please read ALL the instructions.
- On receipt of product, check for any signs of physical damage arising from shipping. If any damage is visible, contact your retailer.
- Keep all original packing.
- Do not use this amplifier in a way that would compromise its ventilation system.
Never cover the amplifier while operating.
- Do not place this amplifier near any heat source.
- This amplifier must be connected only to a power source specified in this manual.
- For safety do not leave the amplifier plugged into a power source for a long period of time when it is not in use.
- Do not let liquid or any foreign objects fall into any openings on the amplifier.
- Never use this amplifier if it has:
 1. Suffered any physical damage.
 2. Been subjected to any liquids, rain or moisture.
 3. Damaged cables connected to it.
- If any of the above occurs, the amplifier should be examined by qualified service personnel.
- Always operate this amplifier with the correctly rated fuse.
 - Never use this amplifier without proper grounding.
 - The mains plug is used as disconnect device, the disconnect device shall remain readily operable.
-  Protective earthing terminal. The amplifier should be connected to a mains socket outlet with a protective earthing connection.
-  Correct Disposal of this product. This marking indicates that this product should not be disposed with other household wastes throughout the EU. To prevent possible harm to the environment or human health from uncontrolled waste disposal, recycle it responsibly to promote the sustainable reuse of material resources.
- Minimum distances should be over 15cm around the amplifier for sufficient ventilation. The ventilation should not be impeded by covering the ventilation openings with items such as newspapers, table-cloths, curtains, etc.
- No naked flame sources, such as lighted candles, should be placed on the amplifier.

OVERVIEW OF THE BP-800 AMPLIFIER

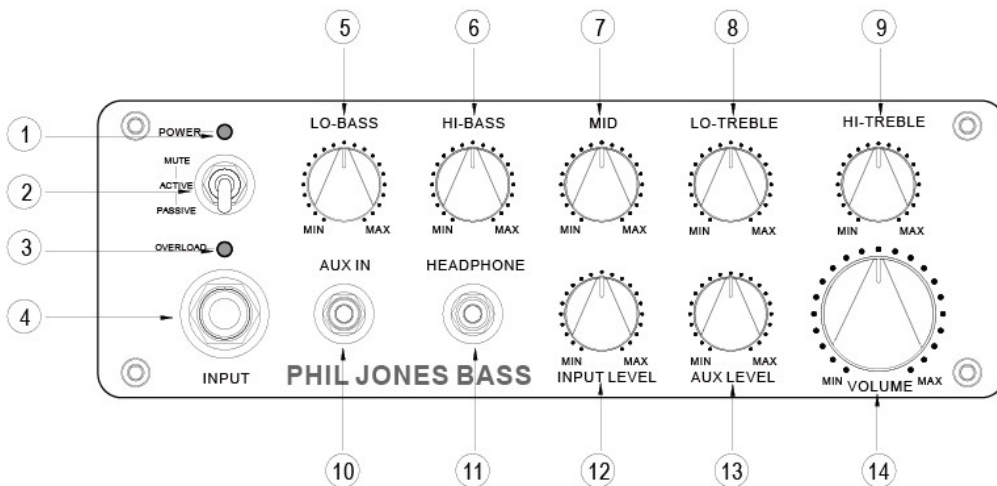
The BP-800 is a high power 800 watt D-Class power amplifier and a pure class A single channel pre-amplifier housed in a machined aluminum enclosure.

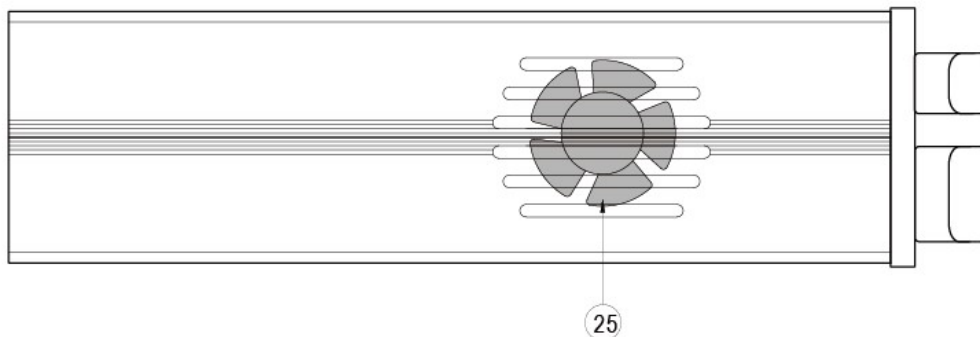
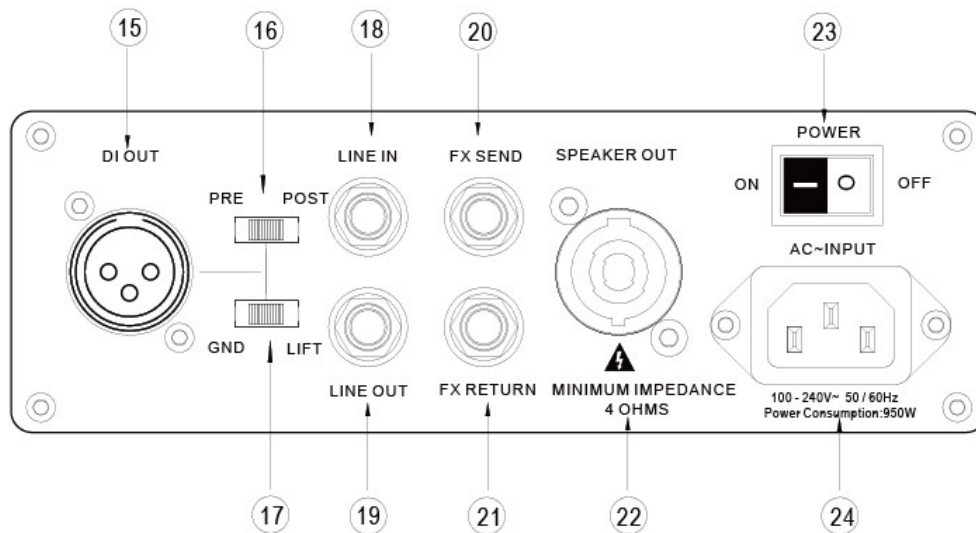
FEATURES

- A switchable input for active (high-output) and passive (high pickup impedance) basses.
- Single switch ACTIVE/PASSIVE/MUTE.

- Variable input sensitivity control to match instrument output with amplifier.
- Input overload indicator.
- Sub sonic filter to reduce excessive loudspeaker cone motion.
- Dedicated 5-Band EQ for total tonal control of instrument.
- Auxiliary input for other audio sources with volume control.
- Headphone out jack.
- Easier to see, Larger master volume control knob.
- Balanced line out with per/post EQ and ground lift switches.
- Power amp input (Line In jack).
- Pre amp output (Line Out jack).
- FX send/return jacks.
- Neutrik NL4 Speakon out, high-current socket.
- Main Power on/off switch.
- IEC AC input 100-240 volts AC.(Operates on all world voltages).

PANEL OVERVIEW





1. POWER ON INDICATOR

Auto standby function:

When connected to AC power, turn on the power, the power LED will light up with red, that shows the amplifier is in standby mode. Under standby mode, when the input socket have a signal was more than 20mV, the power LED will turn green, that shows the amplifier is working.

2. MUTE/ACTION/PASSIVE SELECTOR SWITCH

3. OVERLOAD INDICATOR

4. INSTRUMENT INPUT JACK

Bass instrument in here.

5. LOW BASS EQ CONTROL

This will adjust the fundamental tones of E and A strings on 4 string basses and B, E & A on 5 string basses.

6. HIGH BASS EQ CONTROL

This will adjust the fundamental tones of D and G-strings on 4 & 5 string basses.

7. MID RANGE EQ CONTROL

8. LOW TREBLE EQ CONTROL

9. HIGH TREBLE (PRESENCE) EQ CONTROL

10. AUXILLARY STEREO INPUT JACK

11. HEADPHONE OUT SOCKET

This jack accepts 3.5mm stereo headphone jacks. When a headphone is connected to the jack, the speakers will be muted.

12. INSTRUMENT INPUT LEVEL

13. AUXILLARY INPUT LEVEL

14. MASTER VOLUME CONTROL

15. BALANCED LINE OUT XLR SOCKET

This is a low impedance (200Ω) balanced line out for use with recording or PA mixing consoles. This output is not controlled by the volume control.

Changing the level on your instrument will however, vary the DI output.

16. PRE/POST EQ BALANCED LINE OUT

17. GROUND LIFT BALANCED LINE OUT

This allows the grounding of balanced out socket to be disconnected. This is useful if you are experiencing hum caused by grounding loops/problems.

18. LINE IN: TO POWER AMP BYPASSING THE PRE-AMP

19. LINE OUT

FROM PRE-AMP, can be used for driving a second amplifier

20. FX SEND

Line out to FX pedals or FX rack unit.

21. FX RETURN

Line in from output of FX pedals or FX rack unit.

22. SPEAKER OUTPUT

The BP-800 amplifier will work on any load from 16Ω down to 4Ω, which is the safe maximum load for this amplifier. The jack sockets are in parallel so connecting two 8Ω speakers will result in a 4Ω total load. We recommend that you use PJB high current speaker cables; which are dedicated high-current, low-resistance cables.

Using inferior cables will greatly impair the performance of your system, even more so if you are running a 4 ohm speaker load.

Just to avoid any confusion, a speaker that has low impedance has a greater load on the amplifier. So a maximum load refers to minimum speaker impedance as more current is flowing through the amplifier's output stage, speaker cables and cabinets.

23. MAIN POWER ON/OFF SWITCH

24. AC INPUT

AC (IEC) SOCKET can plug in from 100 VOLTS to 240 VOLTS.

25. COOLING FAN

Always allow space to let air circulate through amplifier.

OPERATION & POSITIONING

TURN THE VOLUME DOWN on the BP-800 before plugging in your instrument.

Connect the speaker or speakers to the BP-800. For best results with this amplifier you should use PJB loudspeaker cabinets and PJB cables. We highly recommend the PJB SS-04 speaker cable for amplifier to cabinet, as it has virtually no loss so there is maximum transfer of power from amplifier to speaker.

Try not to excessively boost the EQ on bass frequencies as this may hurt your speakers.

If you hear that your speakers are distorting and the overload indicator is on, **TURN DOWN THE VOLUME CONTROL!**

The BP-800 amplifier is rated as 800 watts into 4 ohms but that does not mean it is the maximum output power. This is the output power without audible distortion. Hard driving the BP-800 can cause it to put over power beyond 1000 watts with distortion. It is always a good idea to have speaker power handling to be double the amplifier power rating. If the amp is subjected to some kind of overload signal, then the speakers won't blow.

For the best possible sound we recommend you use the PJB BI-12 instrument cable as it has very low self-capacitance and absolute shielding, resulting in greater transparency of sound and less noise. Using this cable will give a richer tone to your instrument.

ALWAYS USE A HIGH QUALITY GROUNDED AC POWER CABLE. NEVER USE THIS AMPLIFIER WITH THE GROUND CONNECTION REMOVED.

TRANSPORTING AND STORING THE BP-800

Storing

- Keep in a dry location preferably at room temperature.
- Do not store in temperatures below -20 Degrees C or above 40 Degrees C.
- Do not allow it to get wet. If this occurs, never turn it on in this condition.
- Do not leave the BP-800 permanently connected to a power source.

Transporting

We recommend to use a protective case, gig bag or cover to prevent damage.

SPECIFICATIONS

Amplifier

800 Watts D class amplifier with digital switch mode power supply.

Frequency Response

Passive and Active input: 25Hz - 20KHz

Low Cut Filter: 24dB/Octave at 25Hz

Maximum Output Power

At least 500 watts RMS at 8 ohms

At least 800 watts RMS at 4 ohms

Signal to Noise Ratio

≥90 dB(A) (EQ off, Volume on Full.)

Impedance

Passive Input: >4MΩ/22pF

Active Input: >100KΩ/22pF

Line Input: >75KΩ

Pre Amp Line Out: < 2KΩ

Bal.Out: <1KΩ

Levels

Passive Input: 20mV-0.9V

Active Input: 150mV-2.7V

Pre Amp Out: 1.2V

FX send: 1.2V

Bal.Line Out: Typical 400mV

EQ: CENTER FREQUENCIES

50Hz, 160Hz, 630Hz, 2.5KHz,12KHz at +/- 18dB

Dimensions(WxDxH): 7.5x13x2.8 (inchs)

Weight: 6 lbs / 2.7 kg

The BP-800 comes with a 12 ft AC Grounded Power Cord.

SERVICE/WARRANTY INFORMATION

PJB amplifiers carry a 2 years limited warranty on parts and labor.

Products must be purchased from an authorized PJB dealer.

Buyer must complete and return the enclosed warranty card within 15 days of purchase, or register online by www.pjbworld.com

This warranty covers defect in materials or workmanship that occurs in normal use.

Within warranty period PJB or its local distributor will repair or replace the defect unit free of labor and parts charge. It is the buyer's responsibility to use the unit strictly according to instructions written in the owner's manual.

This warranty is not transferable; it is provided to original owner only.

Damage/defects caused by the following conditions are not covered by this warranty:

- Improper handling, neglect or failure to operate the unit in compliance with the instructions given in user manual;
- Connection or operation in any way that does not comply with the technical or safety regulations applicable in the country where the product is used;
- Repairs or modifications by anyone other than authorized PJB service agent;
- Damages/defects caused by force majeure or any other condition that is beyond the control of PJB.

IMPORTANT:

- In all warranty issues your first line of communication should be to the retailer you purchased from, even if you have purchased product from an online source.

- When a local distributor is available, customer who prefers to purchase across country online maybe required to pay shipping charges to retailer in order to obtain service.

Warranty policy might differ in countries outside of US. Please check with local distributors for warranty information in your region.

Further questions, please contact PJB by email info@philjonespuresound.com.

PHIL JONES BASS

American Acoustic Development LLC

8509 Mid County Industrial Dr, St Louis, MO 63114 USA

Tel: 855-227-7510 (855-BASS-510)

www.pjbworld.com

support@philjonespuresound.com

For servicing outside USA please contact our distributor in your country. Information can be found on our website.

PHIL JONES BASS

American Acoustic Development LLC

8509 Mid County Industrial Dr,

St Louis, MO 63114

USA

WWW.PJBWORLD.COM

Printed in China

