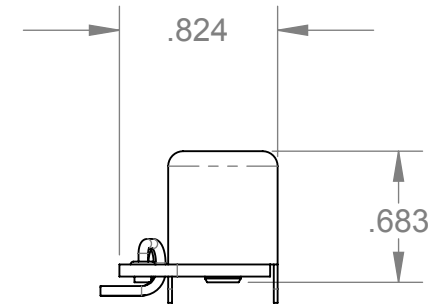
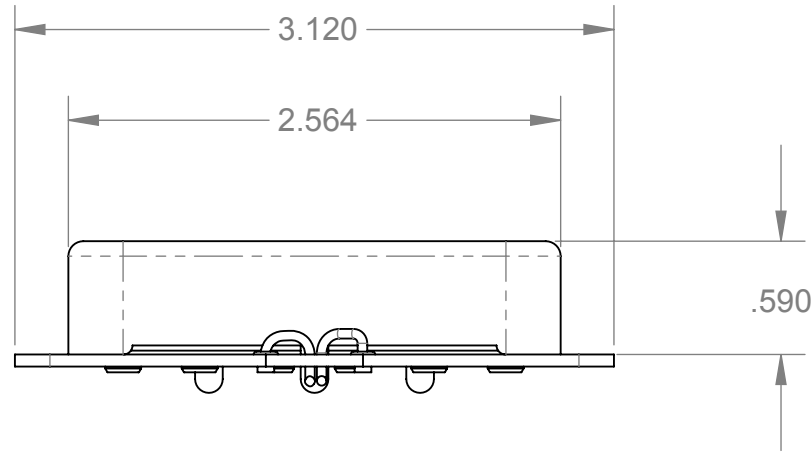
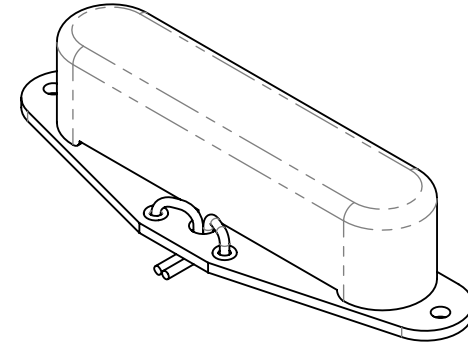
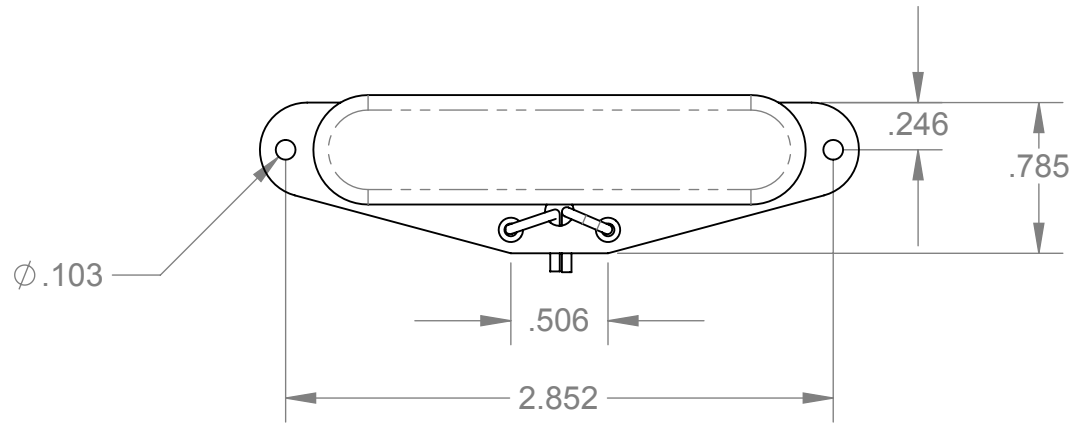


THE INFORMATION CONTAINED IN THIS DRAWING IS THE SOLE PROPERTY OF SEYMOUR DUNCAN RESEARCH. ANY REPRODUCTION IN PART OR WHOLE WITHOUT THE WRITTEN PERMISSION OF SEYMOUR DUNCAN RESEARCH IS PROHIBITED.

| REVISIONS | | | |
|-----------|-------------|------|----------|
| REV. | DESCRIPTION | DATE | APPROVED |
| | | | |
| | | | |
| | | | |



UNLESS OTHERWISE SPECIFIED
DIMENSIONS ARE IN INCHES
TOLERANCES ARE:
FRACTIONS .XX ± .01 ± 1
DECIMALS .XXX ± .005
ANGLES ± 1

MATERIAL XXX
FINISH XXX
DO NOT SCALE DRAWING

CAD GENERATED DRAWING,
DO NOT MANUALLY UPDATE

| APPROVALS | DATE |
|---------------------------------|------------|
| DRAWN <i>Kevin Beller</i> | 09/07/2012 |
| CHECKED | |
| RESP ENG <i>Kevin Beller</i> | |
| MFG ENG | |
| QUAL ENG | |

SEYMOUR DUNCAN RESEARCH

**Profile Drawing
STR-1, Vintage Tele Rhythm**

| | | |
|------------|----------------------------|------------------|
| SIZE A | DWG. NO. XXXXXXX | REV. X |
| SCALE: 1:1 | | Sheet 1 of 1 |