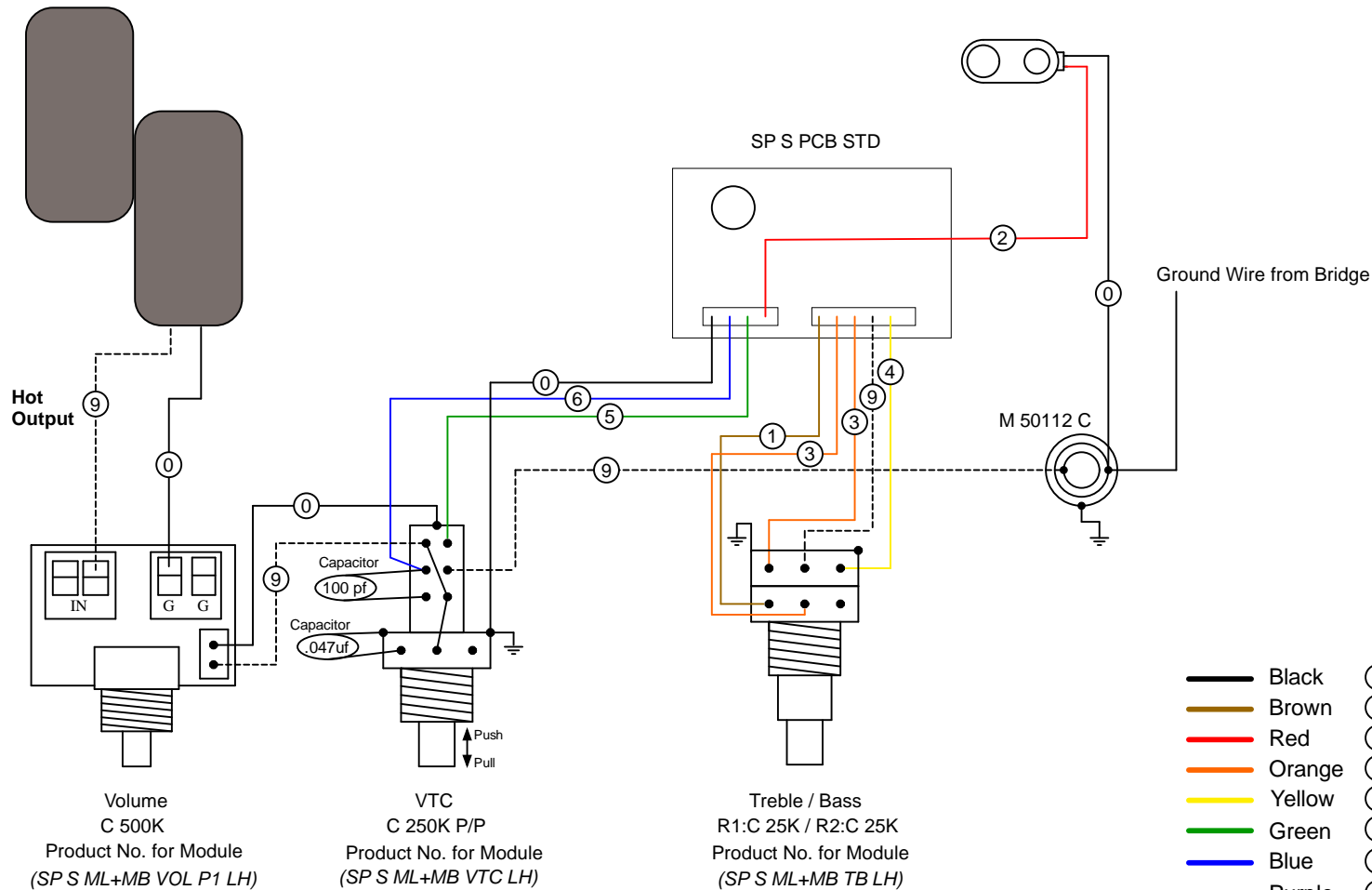


### P-Style Pickup



### Sadowsky Onboard Electronics with Vintage Tone Control

#### Compatibility:

This wiring schematic applies to the following Sadowsky MetroLine and MasterBuilt bass models:

- 20-Fret Ultra Vintage P Bass Left-Hand

Controls: Volume, Vintage Tone Control (VTC), Treble and Bass (stacked). Push/Pull on VTC knob for EQ bypass. When VTC is in the Pulled/Bypass position, the bass functions without a battery in the event a battery dies.

Installation requires a side jack and a battery compartment. If not already done, we recommend shielding the control cavity and pickup cavities at the time of installation. We highly recommend installation by a professional guitar technician or luthier if routing and drilling is required for a battery compartment and/or side jack.

This system is not compatible with EMG or any other active pickups requiring anything other than a 250K or 500K volume pot. For these applications, please custom order a parts-only preamp kit and use your original volume pot.

NOTE: For more information visit our website or contact us on [info@sadowskybass.de](mailto:info@sadowskybass.de)