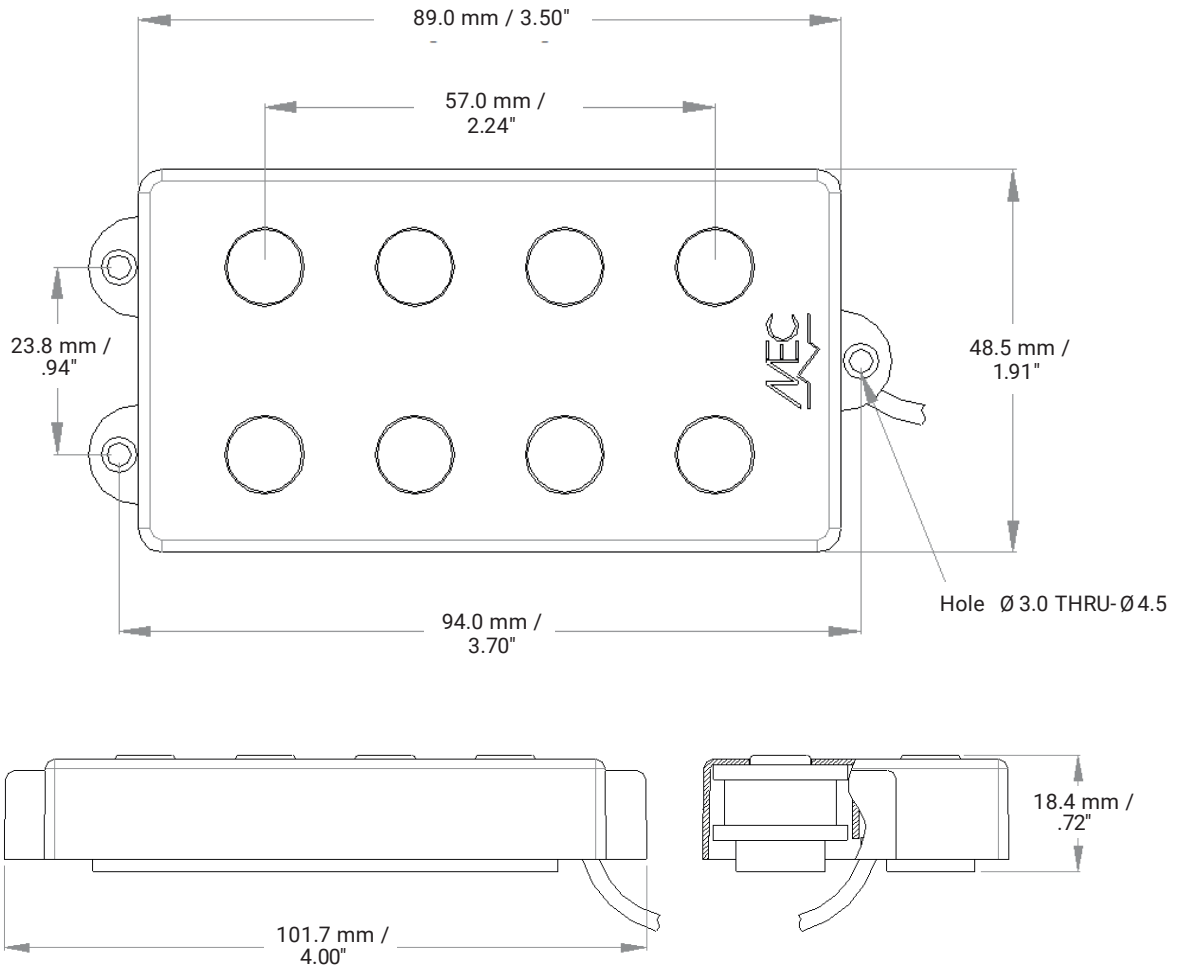




MUSIC
ELECTRONIC
COMPANY

M 60104

Passive MM-Style Bass Pickup



Specifications	4-string passive bass pickup
Magnetic material	ferrite pole magnet
Coil structure	dual coil (humbucker)
DC Resistance	2 x 2.4 kΩ
Max. sensing width	57 mm / 19 mm
Connecting wires	shielded 4-conductor: bare = shield (ground) green = neck (-) red = neck hot (+) white = bridge (-) black = bridge hot (+)